



Falcon 900C

The Falcon 900 is a large size long-range business jet based on the Falcon 50. While similar to the Falcon 50, the Falcon 900 has a new wider and longer fuselage, which can seat three passengers abreast. The biggest thing the Falcon 900 has in common with the Falcon 50 is the supercritical wing. It was incorporated into the aircraft virtually unchanged. Honeywell TFE 731-5 engines that produce 4,500 pounds of thrust power the Falcon 900.

The Falcon 900B has higher rated Honeywell TFE 731-5B engines providing better performance and fuel consumption.

The Falcon C is a Falcon B with the same avionics systems found on the Falcon 900EX.

The Falcon 900C was certificated in 1997 and was in production until 2004.



ESTIMATED VARIABLE COSTS - Per Hour

	Falcon 900	Falcon 900B	Falcon 900C
Fuel (1)	\$1,865.95	\$1,826.96	\$1,826.96
Fuel Additives	-	-	-
Lubricants	-	-	-
Maintenance Labor (2)	345.03	277.14	210.18
Parts Airframe/Eng/Avion (3)	374.32	303.95	197.77
Engine Restoration (4)	661.38	647.87	617.81
Thrust Reverser Allowance	-	-	-
Propeller Allowance	-	-	-
APU Allowance	41.23	41.53	41.53
Major Periodic Maintenance	-	-	-
Misc Exp. - Landing/Parking	44.89	44.89	44.89
- Crew Expenses	258.33	258.33	258.33
- Supplies/Catering	136.29	136.29	136.29
- Carbon Offset (5)	-	-	-
- Other	-	-	-
Fractional Fuel Surcharge Cost/Hour	-	-	-
Fractional Cost/Hour + Tax	-	-	-
Total Variable Cost/Hour	\$3,727.42	\$3,536.96	\$3,333.76
Average Speed-Kts. (6) 600-nm trip	415.00	418.00	418.00
Cost per Nautical Mile	\$8.98	\$8.46	\$7.98

Cost data in this report is intended to be used as a benchmark

FOOTNOTES - Size of Operation: 1 - 2 Aircraft

Date: 1/4/2011

Currency: \$

Type of Operation:	Corporate	Corporate	Corporate
1. Fuel Cost	5.57	5.57	5.57
Gallons/Hour Blk Fuel/Flt Time +15%	335	328	328
2. Maint. Labor Cost per Hour	93	93	93
Maint. Hours/Flight Hours	3.71	2.98	2.26
3. Incl. Engine Parts Cost	No	No	No
Engine Model	TFE 731-5AR-1C	TFE 731-5BR-1C	TFE 731-5BR-1C
Aircraft Model Year	1991	2000	2005
4. Overhaul Cost Source	JSSI Prem10	JSSI Prem10	JSSI Prem10
5. CO2 Cost Per Tonne	-	-	-
6. Block Speed Source	AC Manual	AC Manual	AC Manual



ANNUAL FIXED COSTS

	Falcon 900	Falcon 900B	Falcon 900C
Crew salaries - Captain (7)	\$135,000	\$135,000	\$135,000
- Co Pilot	83,000	83,000	83,000
- Flt Attendant	77,100	77,100	77,100
- Flt Eng/Other	-	-	-
- Benefits	88,530	88,530	88,530
Hangar - Typical	57,700	57,700	57,700
Insurance - Hull (8)	17,340	27,625	30,800
Single Limit Liability	17,750	17,750	17,750
Recurrent Training	60,400	60,400	63,400
Aircraft Modernization (9)	75,000	75,000	50,000
Navigation Chart Service	17,290	17,290	17,290
Refurbishing (10)	117,180	117,180	117,180
Computer Mx. Program (11)	10,500	10,500	10,500
Weather Service (12)	700	700	700
Other Fixed Costs	-	-	-
Mgmt Fee/Yr + Tax	-	-	-
Total Fixed Cost/Year	\$757,490	\$767,775	\$748,950

Cost data in this report is intended to be used as a benchmark

FOOTNOTES - Size of Operation: 1 - 2 Aircraft

Date: 1/4/2011

Currency: \$

7. Crew Salary Source	09 NBAA	09 NBAA	09 NBAA
Number of Crew	3	3	3
8. Ins Hull Value/Frac Share Cost	10,200,000	16,250,000	22,000,000
Hull Insurance Rate (%)	0.17	0.17	0.14
9. Modernization	10 Yr Avg	10 Yr Avg	10 Yr Avg
10. Refurbish Labor Hrs/Seat	105	105	105
11. Comp. Mx Program Source	Typical	Typical	Typical
12. Weather Service Source	Typical	Typical	Typical



ANNUAL BUDGET

	Falcon 900	Falcon 900B	Falcon 900C
Utilization - Nt. Miles	175,000	175,000	175,000
- Hours	422	419	419
Variable Cost	1,572,971	1,481,984	1,396,844
Fixed Cost	757,490	767,775	748,950
Total Cost (No Depreciation)	\$2,330,461	\$2,249,760	\$2,145,794
- Per Hour	5,522.00	5,369.00	5,121.00
- Per Nt. Mile	13.32	12.86	12.26
- Per Seat Nt. Mile	1.11	1.07	1.02
Total Cost (No Depreciation)	2,330,461	2,249,760	2,145,794
Book Depreciation (13)	1,020,000	1,625,000	2,200,000
Total Cost (Book Dep)	\$3,350,461	\$3,874,760	\$4,345,794
- Per Hour	7,939.00	9,248.00	10,372.00
- Per Nt. Mile	19.15	22.14	24.83
- Per Seat Nt. Mile	-	-	-
Total Cost (No Depreciation)	2,330,461	2,249,760	2,145,794
Market Depreciation (14)	408,000	650,000	880,000
Total Cost (Market Dep.)	\$2,738,461	\$2,899,760	\$3,025,794
- Per Hour	6,489.00	6,921.00	7,221.00
- Per Nt. Mile	15.65	16.57	17.29
- Per Seat Nt. Mile	1.30	1.38	1.44

Cost data in this report is intended to be used as a benchmark

Footnotes - Size of Operation: 1 - 2 Aircraft

Date: 1/4/2011

Currency: \$

13. Book Depreciation Rate	10% per yr	10% per yr	10% per yr
14. Market Depreciation Rate	4.00	4.00	4.00



GENERAL COMPARISON

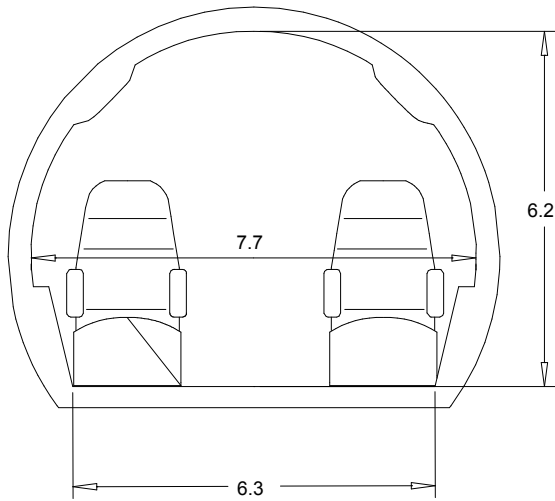
	Falcon 900	Falcon 900B	Falcon 900C
Cabin-Height (Ft.)	6.20	6.20	6.20
- Width	7.70	7.70	7.70
- Length	33.20	33.20	33.20
Cabin volume (Cu. Ft.)	1,264.00	1,264.00	1,264.00
Cabin Door Height (Ft.)	5.60	5.70	5.70
- Width	2.60	2.70	2.70
Baggage -Int. (Cu.Ft.)	127.00	127.00	127.00
- External	-	-	-
Typical Crew/Pass Seating	3/12	3/12	3/12
Weight-Max Take-off (Lbs.)	45,500	45,500	45,500
- Maximum Landing	42,000	42,000	42,000
- Basic Operating	24,685	25,275	25,275
- Usable Fuel	19,165	19,165	19,165
Payload-Full Fuel (Lbs.)	1,850	1,260	1,260
- Maximum	3,535	2,945	2,945
Certified/IFR Certified	Yes/Yes	Yes/Yes	Yes/Yes
Price - New (Corporate)/1000	21,225	26,200	31,600
- Pre Owned Rng/1000	9,700/10,200	9,500/16,250	14,500/22,000
- Years Produced	1986 - 1991	1986 - 2000	1998 - 2005

PERFORMANCE COMPARISON

	Falcon 900	Falcon 900B	Falcon 900C
Range-NBAA IFR Res (N.Mi.)			
Seats Full	3,590	3,450	3,450
Ferry Range - (Pilot(s) only, no pax)	3,970	4,080	4,080
Range-30 Min. Res (N.Mi.)			
Seats Full	-	-	-
Ferry Range - (Pilot(s) only, no pax)	-	-	-
Balanced Field Length (Ft.)	5,800	5,144	5,144
Landing Distance - FAR 121	3,633	3,633	3,633
Rate Of Climb (Ft/Min)	3,700	3,755	3,755
- One Engine Out	753	645	645
Cruise Speed-Max (KTAS)	500	500	500
- Normal	456	466	466
- Long Range	428	428	428
Stall Speed (IAS)	79	82	82
Ceiling-Service MTOW (Ft.)	39,000	39,600	39,600
- Service OEI	29,000	31,000	31,000
- Hover IGE (Helicopter Only)	-	-	-
- Hover OGE (Helicopter Only)	-	-	-

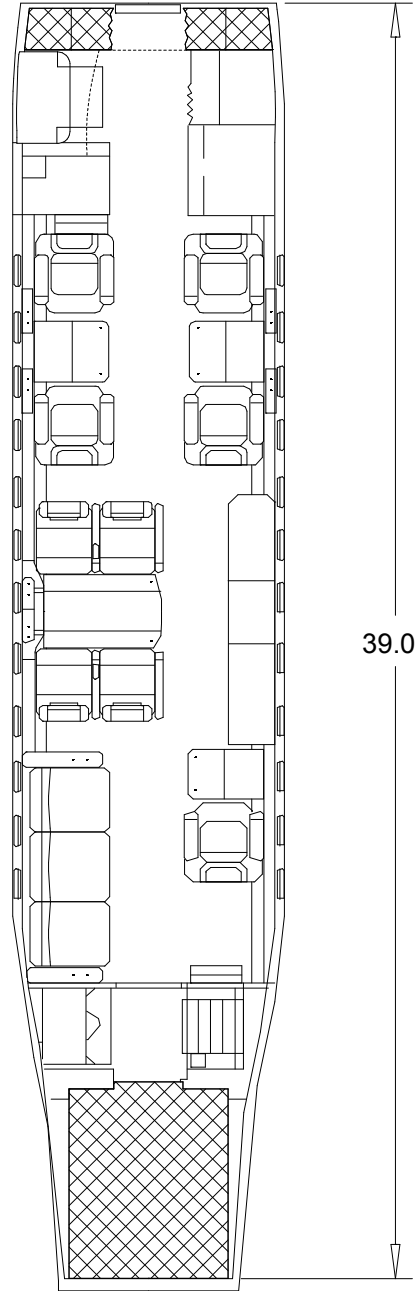
INTERIOR

Scale = 1:40



Falcon 900

Scale = 1:70

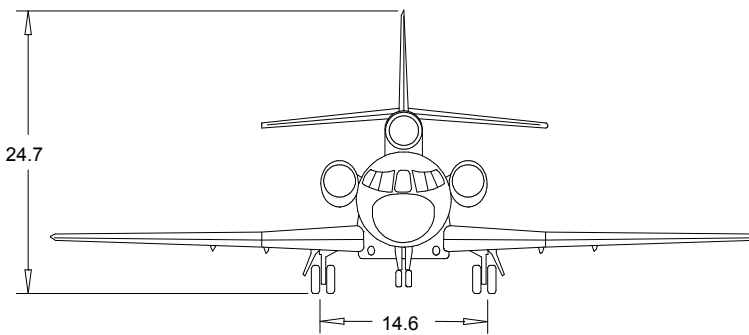
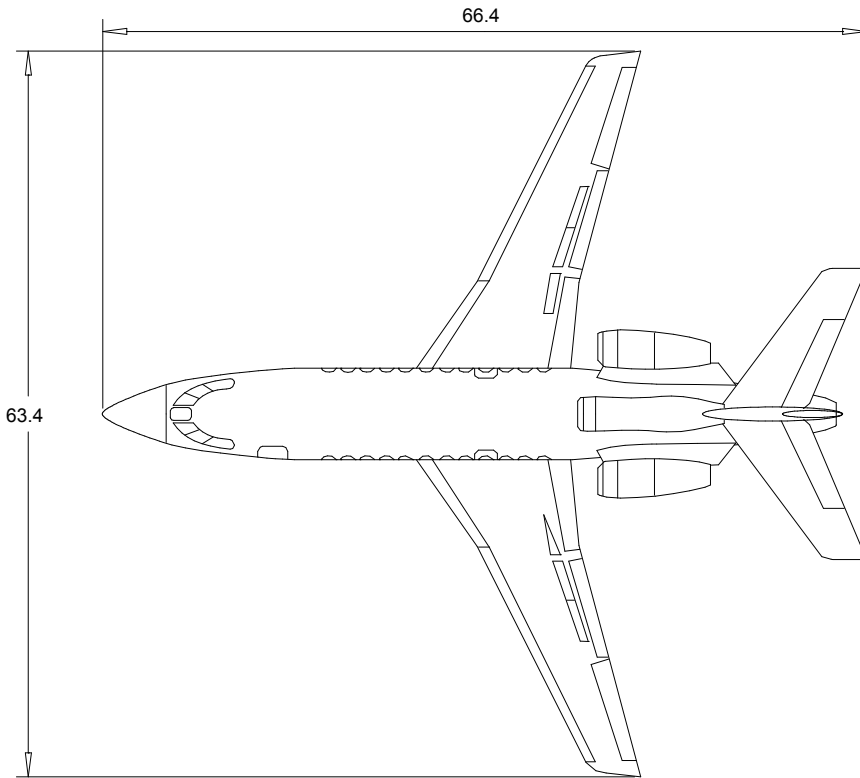
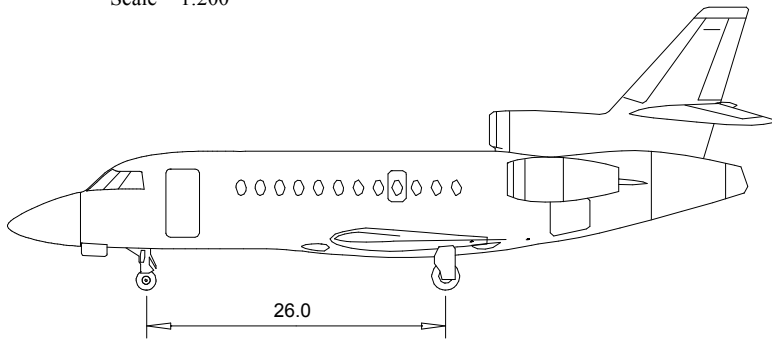


 - Baggage

All dimensions are measured in Feet unless otherwise specified.

EXTERIOR

Scale = 1:200



Falcon 900

Orleans, Massachusetts (508)255-5975

© 2006 Conklin & de Decker Associates, Inc.

All dimensions are measured in Feet unless otherwise specified.