



Falcon 900DX

The Falcon 900DX is based on the wide-body design of the Falcon 900EX EASy but with less fuel and a lower purchase price. The Falcon DX is equipped with Dassault's EASy flight deck. The Falcon 900DX replaces the Falcon 900C and first deliveries were made in late 2005.

The Falcon 900 is a large size long-range business jet based on the Falcon 50. While similar to the Falcon 50, the Falcon 900 has a new wider and longer fuselage, which can seat three passengers abreast. The biggest thing the Falcon 900 has in common with the Falcon 50 is the supercritical wing. It was incorporated into the aircraft virtually unchanged. Honeywell TFE731-5 engines that produce 4,500 pounds of thrust power the Falcon 900.

The Falcon C is a Falcon B with the Honeywell Primus 2000XP avionics systems found on the Falcon 900EX.

The Falcon EX is a Falcon C with higher rated Honeywell TFE731-60 engines that produce 5,000 pounds of thrust. The Falcon EX has also recently upgraded the avionics suite to the EASy system.



ESTIMATED VARIABLE COSTS - Per Hour

Falcon 900DX

Fuel (1)	\$1,623.38	\$-	\$-
Fuel Additives	-	-	-
Lubricants	-	-	-
Maintenance Labor (2)	156.64	-	-
Parts Airframe/Eng/Avion (3)	145.26	-	-
Engine Restoration (4)	514.16	-	-
Thrust Reverser Allowance	-	-	-
Propeller Allowance	-	-	-
APU Allowance	40.55	-	-
Major Periodic Maintenance	-	-	-
Misc Exp. - Landing/Parking	46.08	-	-
- Crew Expenses	249.60	-	-
- Supplies/Catering	131.04	-	-
- Carbon Offset (5)	-	-	-
- Other	-	-	-
Fractional Cost/Hour + Tax	-	-	-
Total Variable Cost/Hour	\$2,906.71	\$-	\$-
Average Speed-Kts. (6) 600-nm trip	418.00	-	-
Cost per Nautical Mile	\$6.95	\$-	\$-

Cost data in this report is intended to be used as a benchmark

FOOTNOTES - Size of Operation: 1 - 2 Aircraft

Date: 11/17/2009

Currency: \$

Type of Operation:

Corporate

1. Fuel Cost	5.17	-	-
Gallons/Hour Blk Fuel/Flt Time +15%	314	-	-
2. Maint. Labor Cost per Hour	89	-	-
Maint. Hours/Flight Hours	1.76	-	-
3. Incl. Engine Parts Cost	No		
Engine Model	TFE 731-60		
Aircraft Model Year	New		
4. Overhaul Cost Source	JSSI Prem09		
5. CO2 Cost Per Tonne	-	-	-
6. Block Speed Source	Mftr Data		



ANNUAL FIXED COSTS

Falcon 900DX

Crew salaries - Captain (7)	\$132,000	\$-	\$-
- Co Pilot	80,000	-	-
- Flt Attendant	75,000	-	-
- Flt Eng/Other	-	-	-
- Benefits	86,100	-	-
Hangar - Typical	55,600	-	-
Insurance - Hull (8)	47,905	-	-
Single Limit Liability	14,250	-	-
Recurrent Training	60,400	-	-
Aircraft Modernization (9)	33,333	-	-
Navigation Chart Service	16,223	-	-
Refurbishing (10)	112,140	-	-
Computer Mx. Program (11)	10,500	-	-
Weather Service (12)	700	-	-
Other Fixed Costs	-	-	-
Mgmt Fee/Yr + Tax	-	-	-
Total Fixed Cost/Year	\$724,151	\$-	\$-

Cost data in this report is intended to be used as a benchmark

FOOTNOTES - Size of Operation: 1 - 2 Aircraft

Date: 11/17/2009

Currency: \$

7. Crew Salary Source	08 NBAA		
Number of Crew	3	-	-
8. Ins Hull Value/Frac Share Cost	36,850,000	-	-
Hull Insurance Rate (%)	0.13	-	-
9. Modernization	10 Yr Avg		
10. Refurbish Labor Hrs/Seat	105	-	-
11. Comp. Mx Program Source	Typical		
12. Weather Service Source	Typical		



ANNUAL BUDGET

Falcon 900DX

Utilization - Nt. Miles	175,000	-	-
- Hours	419	-	-
Variable Cost	1,217,912	-	-
Fixed Cost	724,151	-	-
Total Cost (No Depreciation)	\$1,942,063	\$-	\$-
- Per Hour	4,635.00	-	-
- Per Nt. Mile	11.10	-	-
- Per Seat Nt. Mile	0.92	-	-
Total Cost (No Depreciation)	1,942,063	-	-
Book Depreciation (13)	3,685,000	-	-
Total Cost (Book Dep)	\$5,627,063	\$-	\$-
- Per Hour	13,430.00	-	-
- Per Nt. Mile	32.15	-	-
- Per Seat Nt. Mile	2.68	-	-
Total Cost (No Depreciation)	1,942,063	-	-
Market Depreciation (14)	1,474,000	-	-
Total Cost (Market Dep.)	\$3,416,063	\$-	\$-
- Per Hour	8,153.00	-	-
- Per Nt. Mile	19.52	-	-
- Per Seat Nt. Mile	1.63	-	-

Cost data in this report is intended to be used as a benchmark

Footnotes - Size of Operation: 1 - 2 Aircraft

Date: 11/17/2009

Currency: \$

13. Book Depreciation Rate	10% per yr		
14. Market Depreciation Rate	4.00	-	-



GENERAL COMPARISON

Falcon 900DX

Cabin-Height (Ft.)	6.20	-	-
- Width	7.70	-	-
- Length	33.20	-	-
Cabin volume (Cu. Ft.)	1,264.00	-	-
Cabin Door Height (Ft.)	5.60	-	-
- Width	2.60	-	-
Baggage -Int. (Cu.Ft.)	127.00	-	-
- External	-	-	-
Typical Crew/Pass Seating	3/12		
Weight-Max Take-off (Lbs.)	46,700	-	-
- Maximum Landing	42,200	-	-
- Basic Operating	24,470	-	-
- Usable Fuel	18,830	-	-
Payload-Full Fuel (Lbs.)	3,600	-	-
- Maximum	6,394	-	-
Certified/IFR Certified	Yes/Yes		
Price - New (Corporate)/1000	36,850	-	-
- Pre Owned Rng/1000	25,500/36,850		
- Years Produced	2005 - to present		

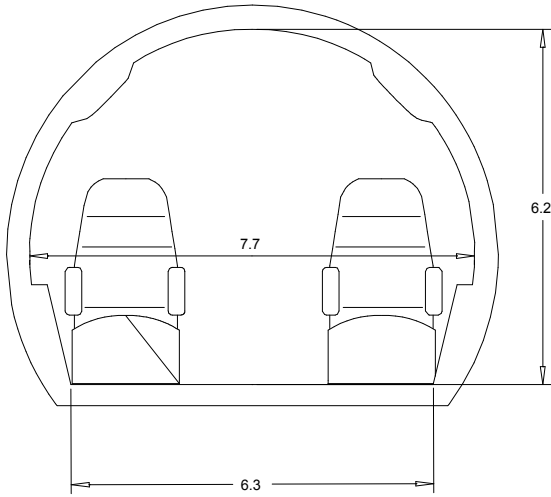
PERFORMANCE COMPARISON

Falcon 900DX

Range-NBAA IFR Res (N.Mi.)			
Seats Full	4,100	-	-
Ferry Range - (Pilot(s) only, no pax)	4,290	-	-
Range-30 Min. Res (N.Mi.)			
Seats Full	-	-	-
Ferry Range - (Pilot(s) only, no pax)	-	-	-
Balanced Field Length (Ft.)	4,890	-	-
Landing Distance - FAR 121	3,895	-	-
Rate Of Climb (Ft/Min)	3,880	-	-
- One Engine Out	796	-	-
Cruise Speed-Max (KTAS)	482	-	-
- Normal	459	-	-
- Long Range	430	-	-
Stall Speed (IAS)	85	-	-
Ceiling-Service MTOW (Ft.)	40,600	-	-
- Service OEI	31,600	-	-
- Hover IGE (Helicopter Only)	-	-	-
- Hover OGE (Helicopter Only)	-	-	-

INTERIOR

Scale = 1:40

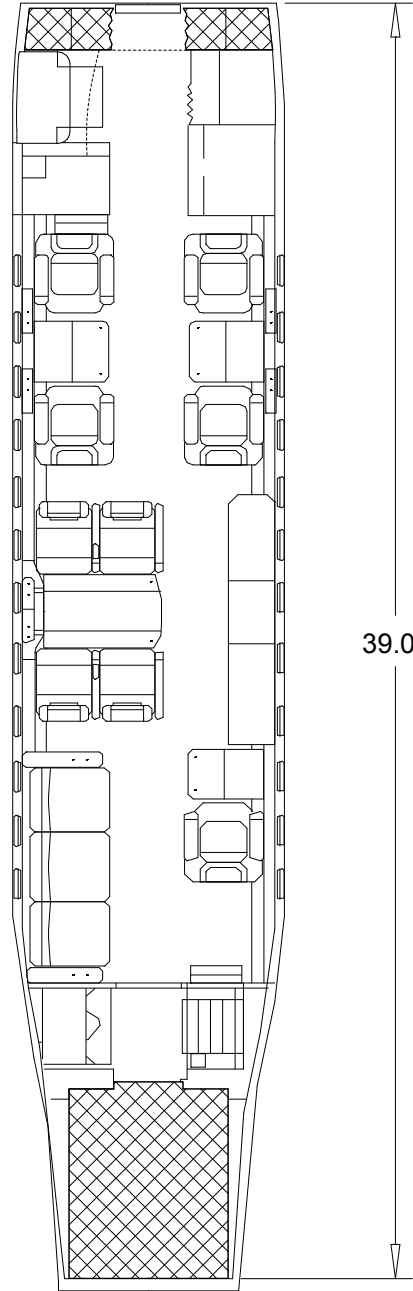



Orleans, Massachusetts (508)255-5975

© 2006 Conklin & de Decker Associates, Inc.

Falcon 900DX

Scale = 1:70

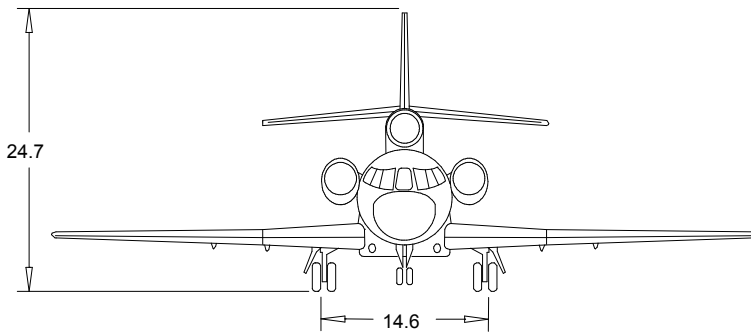
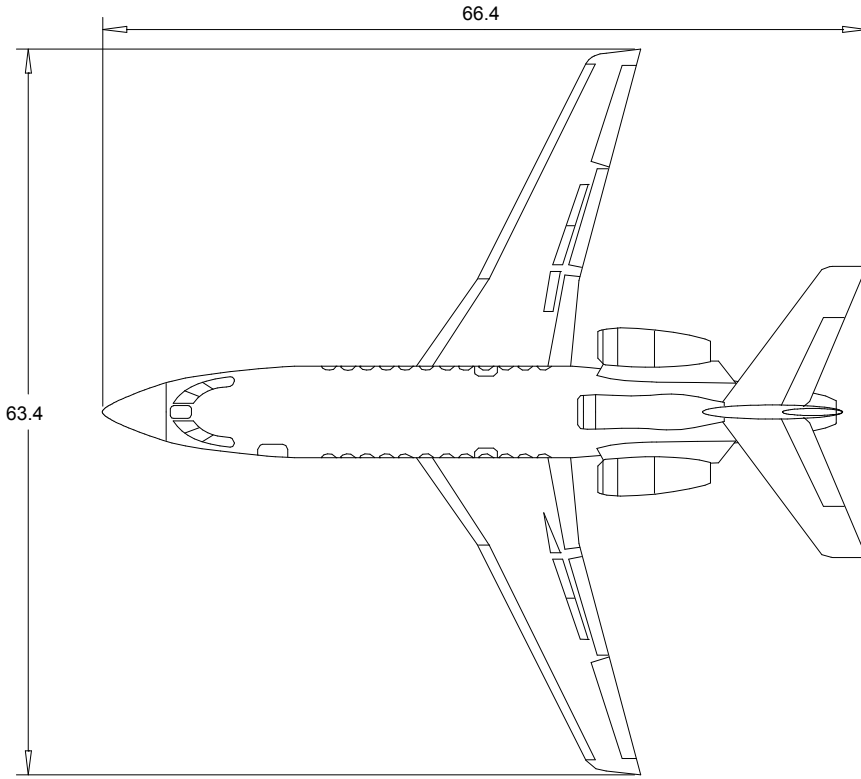
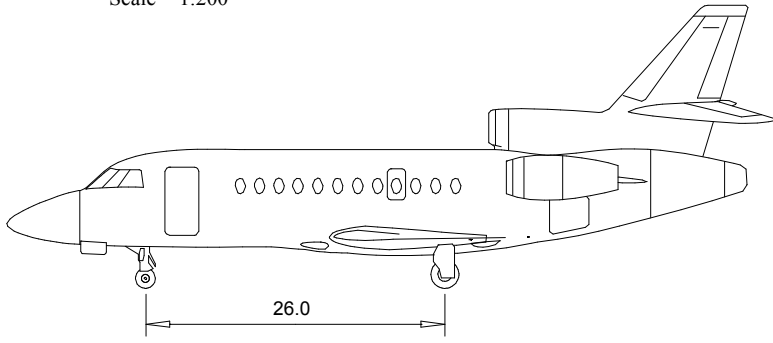


 - Baggage

All dimensions are measured in Feet unless otherwise specified.

EXTERIOR

Scale = 1:200



All dimensions are measured in Feet unless otherwise specified.

Falcon 900DX

Orleans, Massachusetts (508)255-5975

© 2006 Conklin & de Decker Associates, Inc.